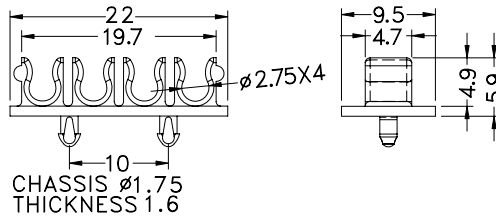


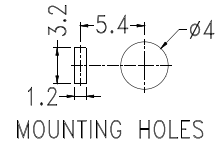
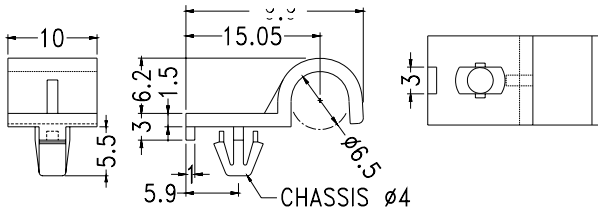
WIRE Holder / Mount

Hankook Fastener

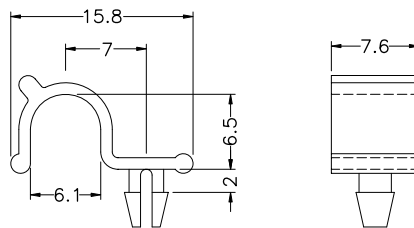
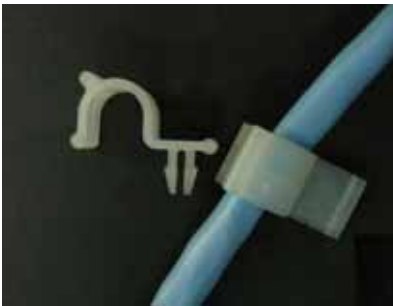
- ◆ MATERIAL: NYLON 66(UL)
- ◆ FLAME CLASS :94V-2
- ◆ COLOR: NATURAL
- ◆ UNIT: mm



| PART NO | PACKAGE |
|---------|---------|
| MUT-1 | 500 |

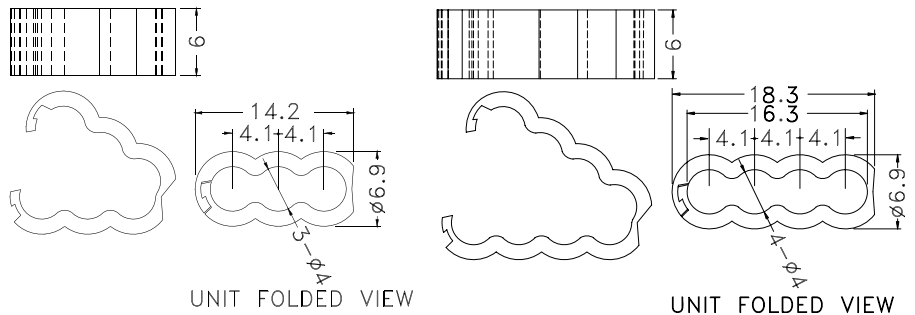


| PART NO | PACKAGE |
|---------|---------|
| CLH-6 | 500 |



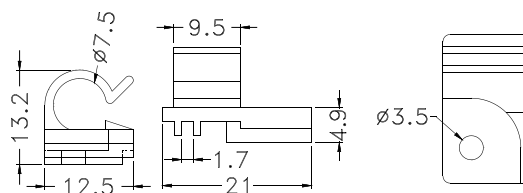
HOLE IN P.C.B Ø3.2
P.C.B THICKNESS 1.6

| PART NO | PACKAGE |
|---------|---------|
| CLI-6 | 2000 |



| PART NO | PACKAGE |
|---------|---------|
| 3WC-4 | 1000 |

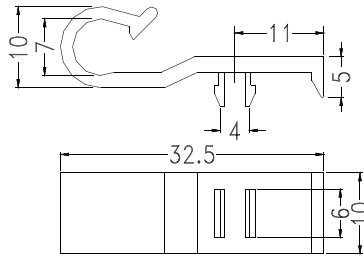
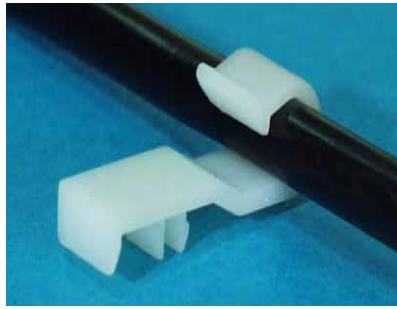
| PART NO | PACKAGE |
|---------|---------|
| 4WC-4 | 1000 |



| PART NO | PACKAGE |
|---------|---------|
| WCL-3 | 500 |

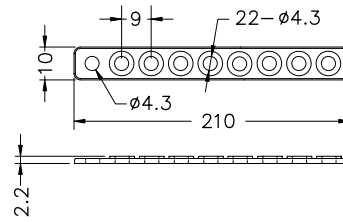
WIRE Holder / Mount

Hankook Fastener

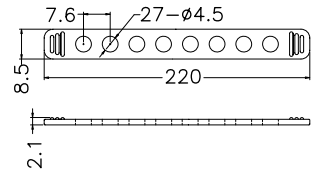


- ◆ MATERIAL: NYLON 66(UL)
- ◆ FLAME CLASS :94V-2
- ◆ COLOR:NATURAL
- ◆ UNIT:mm

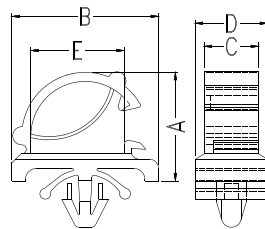
| PART NO | PACKAGE |
|---------|---------|
| WCL-2 | 500 |



| PART NO | PACKAGE |
|----------|---------|
| CCHD-210 | 500 |

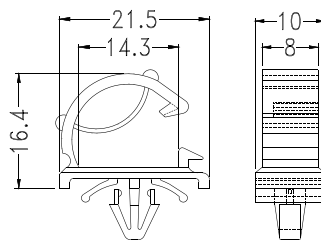


| PART NO | PACKAGE |
|----------|---------|
| CCHD-220 | 500 |



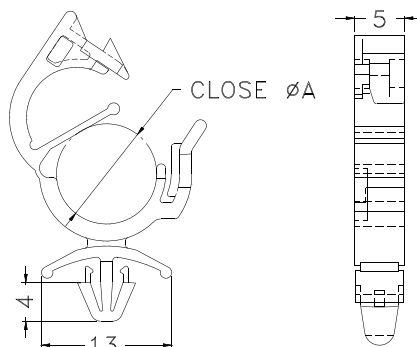
CHASSIS ø3.5

| PART NO | A | B | C | D | E | CHASSIS THICKNESS | PACKAGE |
|-------------|------|------|-----|-----|------|-------------------|---------|
| WLO-1 | 8.2 | 13.5 | 6.0 | 8.0 | 6.2 | 0.8~2.0 | 1000 |
| ★ WLO-1-2.5 | 8.6 | | | | | 0.8~2.5 | |
| WLO-2 | 12.0 | 16.2 | | | 10.3 | 0.8~2.0 | |
| WLO-2-2.5 | | | | | | 0.8~2.5 | |



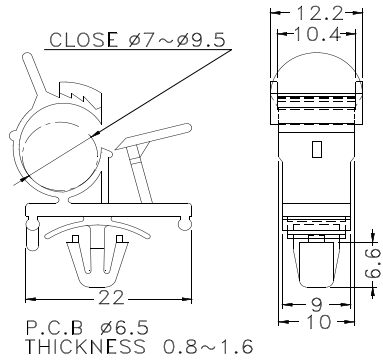
CHASSIS ø4.8
THICKNESS 0.8~2.5

| PART NO | PACKAGE |
|---------|---------|
| WLO-3 | 500 |



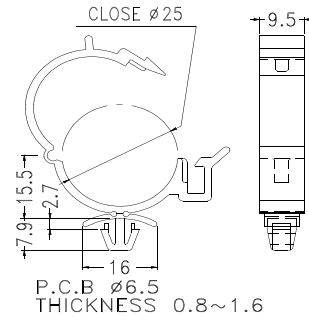
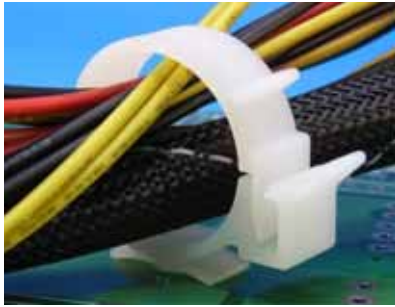
CHASSIS ø4
THICKNESS 0.8~1.6

| PART NO | CLOSE | PACKAGE |
|---------|-------|---------|
| CHN-7.6 | 7.6 | 500 |
| CHN-10 | 10.0 | |
| CHN-12 | 12.0 | |

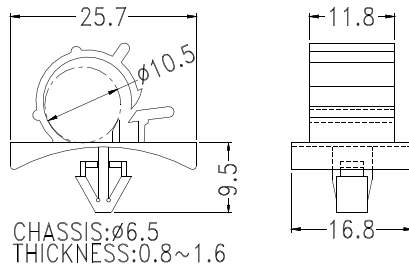
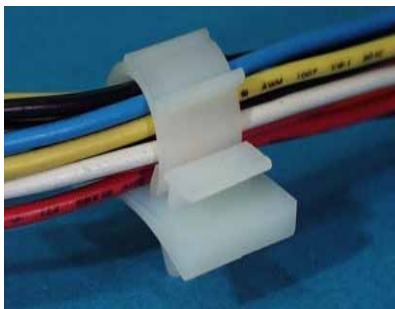


- ◆ MATERIAL: NYLON 66(UL)
 - ◆ FLAME CLASS :94V-2
 - ◆ COLOR: NATURAL
 - ◆ UNIT: mm
-
- MOUNTING HOLES

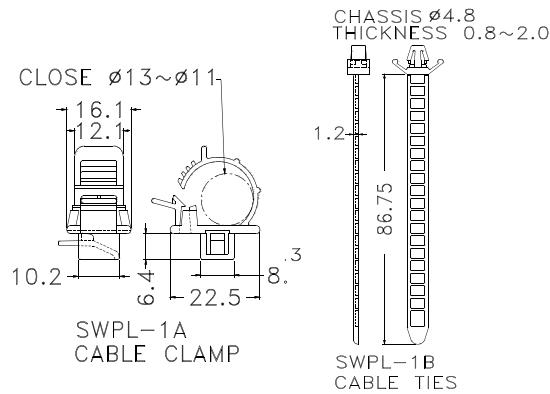
| PART NO | PACKAGE |
|---------|---------|
| AWK-10 | 2000 |



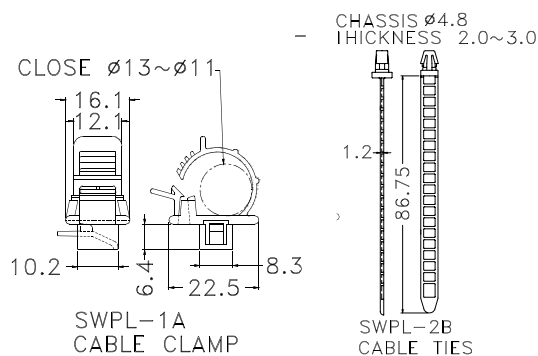
| PART NO | PACKAGE |
|---------|---------|
| FWT-25 | 1000 |



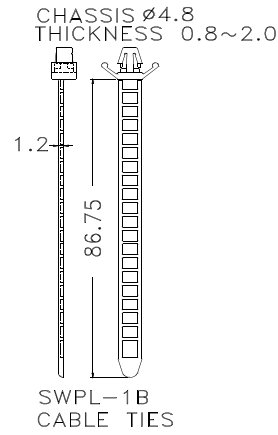
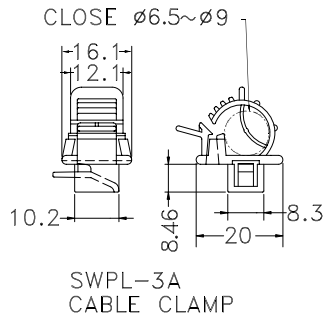
| PART NO | PACKAGE |
|---------|---------|
| WL-1 | 500 |



| PART NO | PACKAGE |
|---------|---------|
| SWPL-1 | 100 |

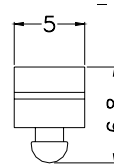
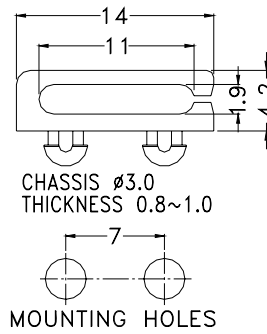


| PART NO | PACKAGE |
|---------|---------|
| SWPL-2 | 100 |

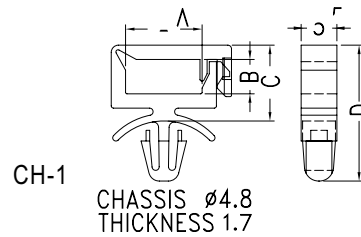
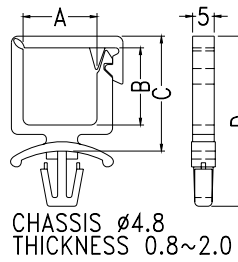
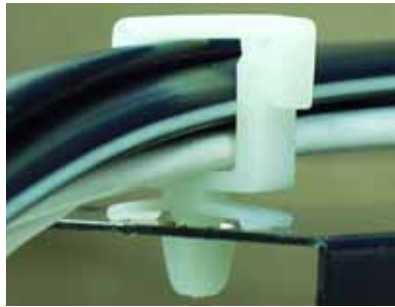


- ◆ MATERIAL: NYLON 66(UL)
- ◆ FLAME CLASS :94V-2
- ◆ COLOR: BLACK
- ◆ UNIT: mm

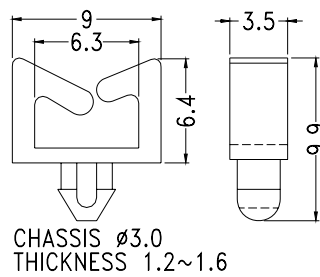
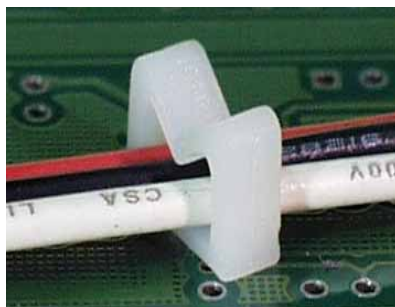
| PART NO | PACKAGE |
|---------|---------|
| SWPL-3 | 100 |



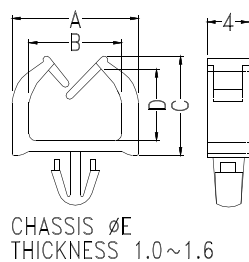
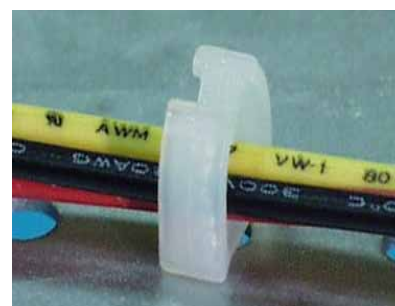
| PART NO | PACKAGE |
|---------|---------|
| MWS-4 | 2000 |



| PART NO | A | B | C | D | PACKAGE |
|-----------|------|------|------|------|---------|
| CH-1 | 11.0 | 11.2 | 16.6 | 24.0 | 500 |
| ★CHWS-4.8 | 10.7 | 4.8 | 10.6 | 19.0 | |



| PART NO | PACKAGE |
|---------|---------|
| MWS-1 | 1000 |

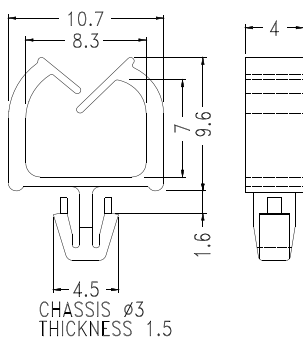


| PART NO | A | B | C | D | E | PACKAGE |
|---------|------|-----|------|-----|-----|---------|
| MWS-6 | 12.0 | 8.8 | 11.5 | 8.5 | 3.5 | 1000 |
| MWS-7 | 9.2 | 6.8 | 7.6 | 5.0 | 3.0 | 2000 |



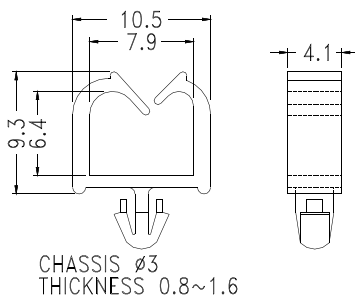
WIRE Holder / Mount

Hankook Fastener

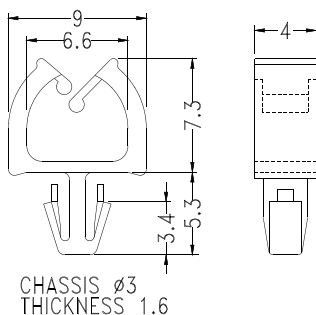


- ◆ MATERIAL: NYLON 66(UL)
- ◆ FLAME CLASS :94V-2
- ◆ COLOR: NATURAL
- ◆ UNIT: mm

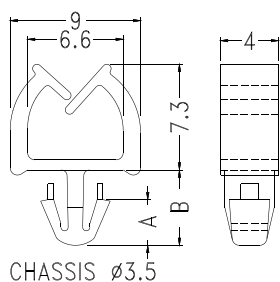
| PART NO | PACKAGE |
|---------|---------|
| MWS-15 | 1000 |



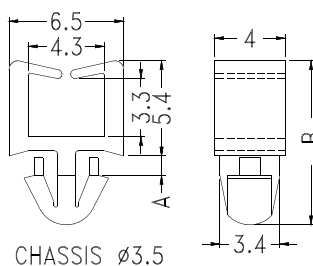
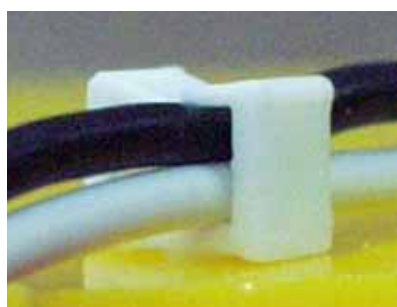
| PART NO | PACKAGE |
|---------|---------|
| MWS-12 | 1000 |



| PART NO | PACKAGE |
|---------|---------|
| MWS-10 | 1000 |



| PART NO | A | B | CHASSIS THICKNESS |
|-----------|-----|------|-------------------|
| MWS-11 | 3.2 | 5.20 | 1.6 mm |
| ★ MWS-11S | 2.8 | 4.15 | 1.0 mm |



| PART NO | A | B | CHASSIS THICKNESS |
|---------|-----|------|-------------------|
| MWS-13 | 1.1 | 9.3 | 1.0 mm |
| MWS-14 | 4.1 | 12.3 | 4.0 mm |